

## MMG SD80 - Videoconference Camera

The new MMG SD80 Camera is a nice PTZ-camera with 18x optical Zoom for applications like Videoconferencing, Telemedicine or Tele-education

### Picture Quality

With the use of a Sony 1/4" Super-HAD sensor and 480 TV lines, the camera delivers excellent PAL and NTSC picture

### Multiple Output Formats

Composite Video and S-Video connectors for PAL or NTSCS

### PTZ Functionality

The camera has an accurate step motor driven pan/tilt function for smooth moving and quick and accurate pointing to preset positions

### Control Function

Multi Protocol system with support for PELCO-P, PELCO-D and VISCA

Controlable through remote control , RS-232 and RS-485

Supporting 128 Preset positions with error less then 0,03°

### Optical + Digital Zoom

The optical Zoom features 18x with a with additional 12x digital Zoom

### Remote Control

Included Remote Control for Presets and Pan, Tilt, Zoom and Focus control



### Specifications

#### Rotate Specifications

Pan Rotation	360°
Tilt Rotation	±30°
Manual Control Speed	0.1°-45°/sec (Pan); 0.1°-20°/sec (Tilt)
Preset Control Speed	45°/sec (Pan); 20°/sec (Tilt)

#### Input / Output Interface

Video Output Interface	Composite: RCA jack, 1Vp-p at 75Ω Y/C: S-Video jack
Control Signal Interface	8-pin mini DIN
Control Signal Format	Baud Rate: 2400, 4800, 9600bps

#### Electrical Index

Input voltage	DC 12V / 1A
Power consumption	12W

#### Structure

Material	Al-alloy, PC plastic
Weight	1,5 kg
Size (W x H x D)	126 x 139 x 135 (mm)
Application	For indoor use
Storage Temperature	-10 °C to +60 °C
Working Temperature	0 °C to +40 °C
Camera body color	black

#### Camera Sensor

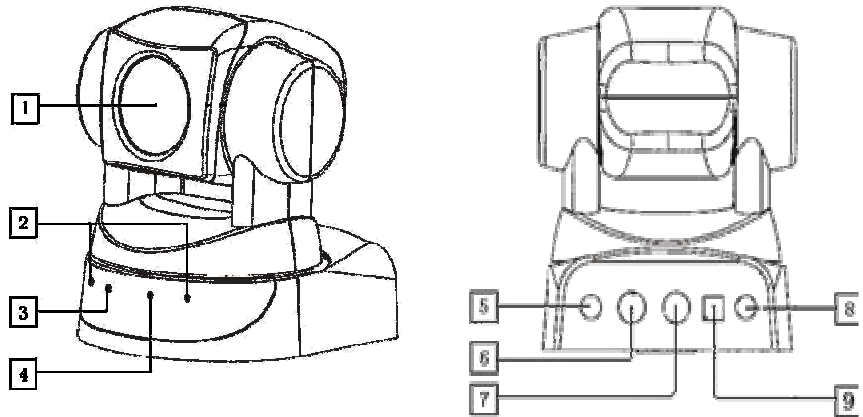
Image Sensor	1/4 inch Super-HAD Sensor
Pixel	NTSC: 768(H) x 494(V) PAL: 752(H) x 582(V)
Video Signal	NTSC / PAL
Resolution	480 TV-Lines

#### Camera Lens Parameters

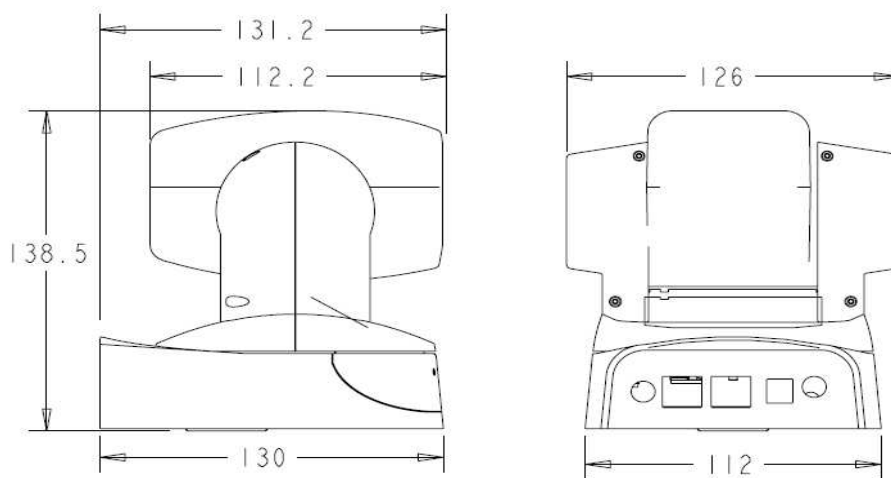
Zoom	18x optical zoom, f=4.1 - 73.8mm, F1.4--3.0
Angle of View	2.8° (far) - 48° (near)
Minimum Illumination	1.0 Lux
White Balance	Auto
Focus	Auto / Manual
AGC	Auto
Shutter Speed	1/60 - 1/10.000s
BLC (Back Light Compensation)	Auto / Manual
S/N Ratio	>50 dB

## Signals and Connectors

1. Lens
2. Remote Control Sensor
3. Power Indicator
4. Remote Controller Receiving Indicator
5. Composite Video-Connector
6. S-Video Connector
7. VISCA-In Connector
8. Power Connector
9. Baud-Rate DIP-Switch



## Dimensions and Drawings [mm]



**m-m-g**  
multimedia gmbh

**mmg Multimedia GmbH**  
Akazienstrasse 13  
16356 Werneuchen OT Seefeld  
Germany

Tel.: +49 (0)33398 / 78-530  
Fax: +49 (0)33398 / 78-539

**mmg Vertriebsbüro**  
Frankfurter Allee 17  
65835 Liederbach am Taunus  
Germany

Tel.: +49 (0)69 26016712  
Fax: +49 (0)69 26016714

[www.mmg-multimedia.de](http://www.mmg-multimedia.de)  
[info@mmg-multimedia.de](mailto:info@mmg-multimedia.de)

powered by  
mmg Multimedia GmbH

Stand: 28.08.2010

Alle Angaben ohne Gewähr  
Änderungen und Irrtümer vorbehalten